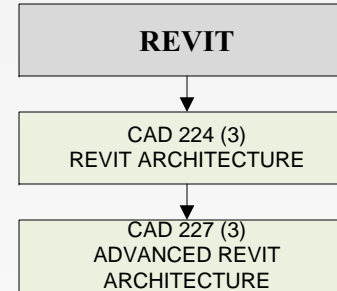
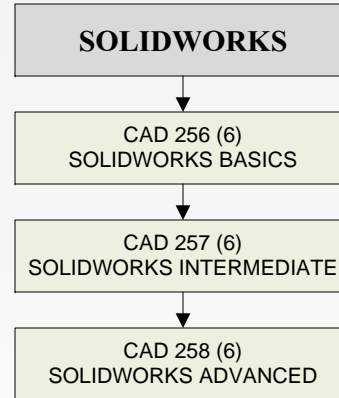
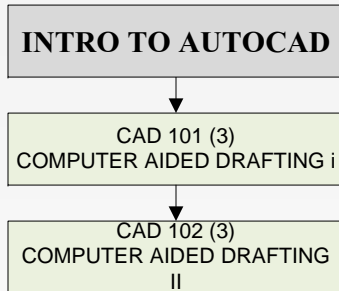
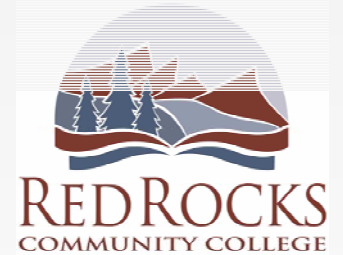


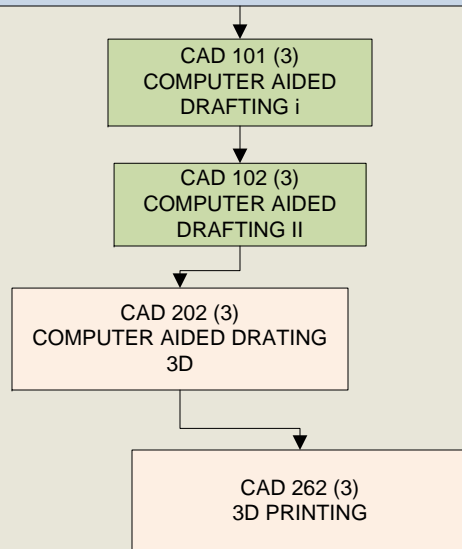
ENGINEERING GRAPHICS

CERTIFICATES

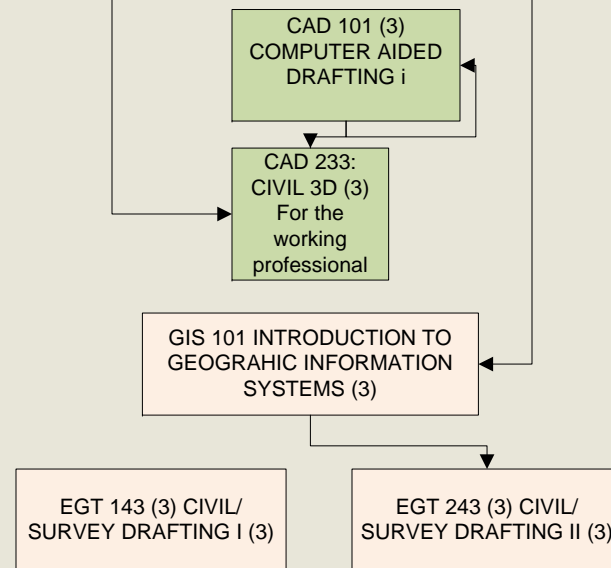
Catalog 2014-2015



ENGINEERING GRAPHICS MECHANICAL CERTIFICATE
Total of 12 credits



ENGINEERING GRAPHICS CIVIL CERTIFICATE
Total of 15 credits



ENGINEERING GRAPHICS ARCHITECTURAL CERTIFICATE
Total of 31 credits

